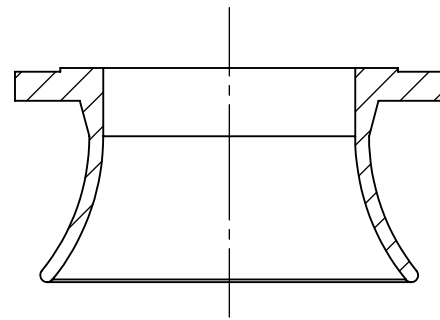
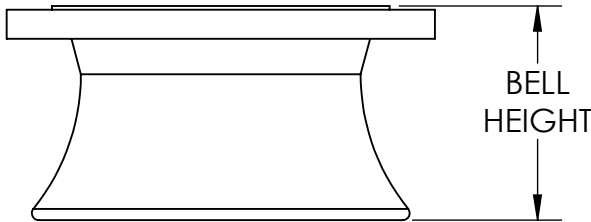
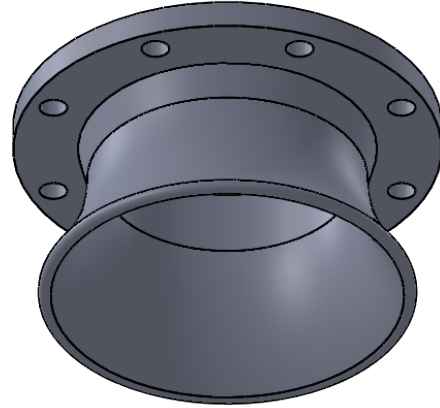
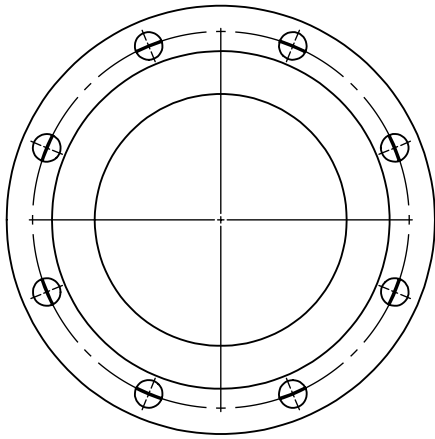


2

1



NOMINAL PIPE SIZE	BELL HEIGHT	ANSI 150# FLANGE DIMENSIONS					BOLT SIZE
		OD	THICKNESS	BOLT CIRCLE	BOLT THRU HOLE		
					INCHES	INCHES	
2.5	3.50	7.000	0.500	5.500	0.750	4	5/8
3	4.00	7.500	0.500	6.000	0.750	4	5/8
4	4.30	9.000	0.500	7.500	0.750	8	5/8
5	5.00	10.000	0.500	8.500	0.875	8	3/4
6	5.50	11.000	0.500	9.500	0.875	8	3/4
8	6.70	13.500	0.500	11.750	0.875	8	3/4
10	8.00	16.000	0.625	14.250	1.000	12	7/8
12	8.80	19.000	0.625	17.000	1.000	12	7/8
14	10.23	21.000	0.625	18.750	1.125	12	1
16	11.41	23.500	0.625	21.250	1.125	16	1
20	13.78	27.500	0.750	25.000	1.250	20	1-1/8

**AVAILABLE IN CAST IRON AND STAINLESS STEEL**



**PROPRIETARY AND CONFIDENTIAL**  
THE INFORMATION CONTAINED IN THIS DRAWING IS THE SOLE PROPERTY OF FLOW OPTIMIZERS LLC. ANY REPRODUCTION IN PART OR AS A WHOLE WITHOUT THE WRITTEN PERMISSION OF FLOW OPTIMIZERS LLC IS PROHIBITED.

	NAME	DATE
DRAWN	PMR	11/19/21
CHECKED		
ENG APPR.		
MFG APPR.		
Q.A.		
COMMENTS:		

**FLOW OPTIMIZERS LLC**  
P.O. Box 308, Lizella, GA 31052-308 USA

**FLOW CONDITIONING  
INTAKE SUCTION BELLS**

SIZE **A** DWG. NO. SUCTION\_BELL REV. **A**  
SCALE:1:8 WEIGHT: SHEET 1 OF 1

2

1