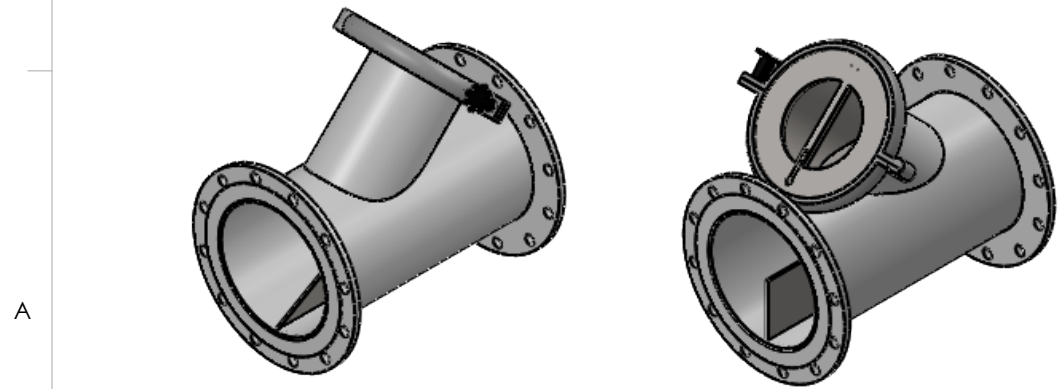



Notes:

- 1) Products are warranted to be free from defects in materials and workmanship.
- 2) Since Flow Conditioning spools are being custom built to specific dimensions there is no guarantee of performance or reliability. Flow Optimizers shall not be held liable for any loss or damages resulting from the use of them. Flow optimizers is providing the assembly drawings as a visual representation of how the product will be made. Flow Optimizers is not providing fluid dynamics engineering, materials engineering, or fabrication engineering and is not offering any guarantee that these products will perform a particular function or meet any type of flow performance specifications or product service life. Flow Optimizers is only responsible for assembling the products and delivering them to the jobsite.
- 3) All welded 304 Stainless Steel Construction.



CUSTOMER APPROVAL	MATERIAL	UNLESS OTHERWISE SPECIFIED: DIMENSIONS ARE IN INCHES TOLERANCES: FRACTIONAL ± ANGULAR: MACH ± BEND ± TWO PLACE DECIMAL ±.02 THREE PLACE DECIMAL ±.005	DRAWN	NAME	DATE	FLOW OPTIMIZERS LLC P.O. Box 308, Lizella, GA 31052-308 USA PAW CREEK PUMP STATION 12" x 27" FLOW CONDITIONING SPOOL WITH 8" CLEAN-OUT		
	APPROVAL SIGNATURE		304 Stainless Steel	CHECKED	PMR		6/23/2020	
			FINISH	Pickled and passivated, Completely immerse for a minimum of 15 minutes in 10% nitric acid and 3% hydrofluoric acid at 125 degrees Fahrenheit, followed by a neutralizing rinse	ENG APPR.			
				Q.A.				
PRINTED NAME		 PROPRIETARY AND CONFIDENTIAL THE INFORMATION CONTAINED IN THIS DRAWING IS THE SOLE PROPERTY OF FLOW OPTIMIZERS LLC. ANY REPRODUCTION IN PART OR AS A WHOLE WITHOUT THE WRITTEN PERMISSION OF FLOW OPTIMIZERS LLC IS PROHIBITED.	SIZE	DWG. NO.	REV			
APPROVAL DATE			DO NOT SCALE DRAWING	B	FYS-1225_ND	B		
			SCALE: 1:8	WEIGHT: 190#	SHEET 1 OF 1			